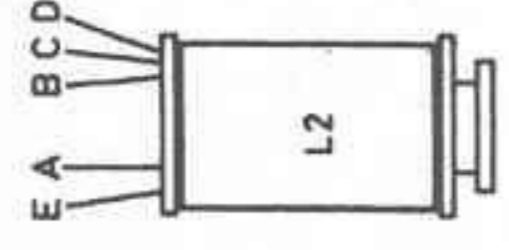
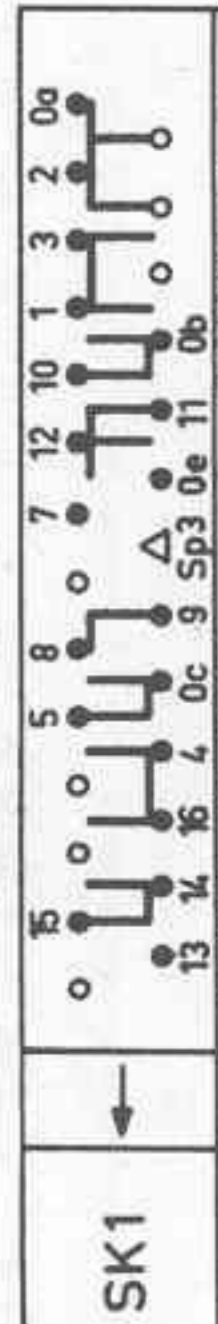
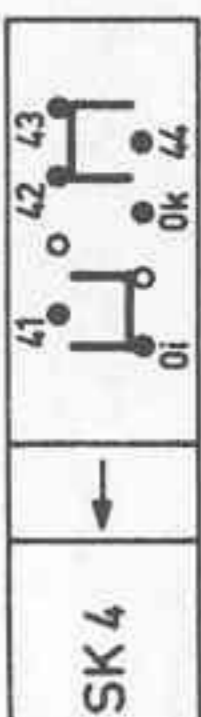
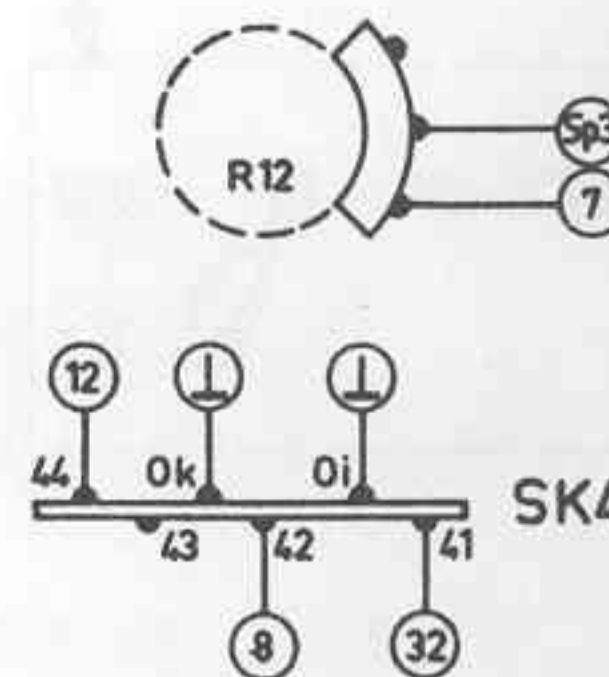
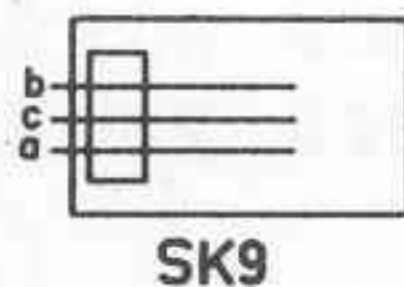
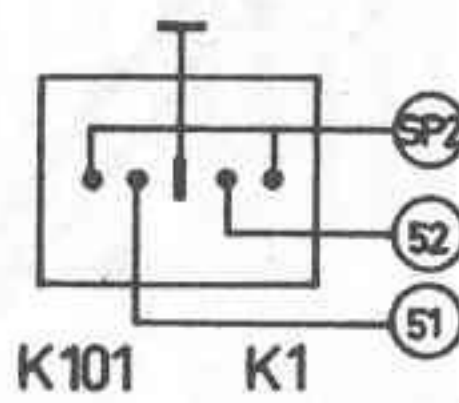
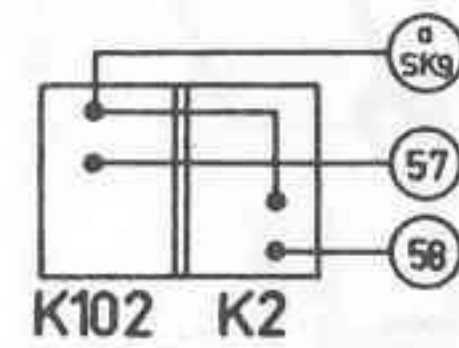
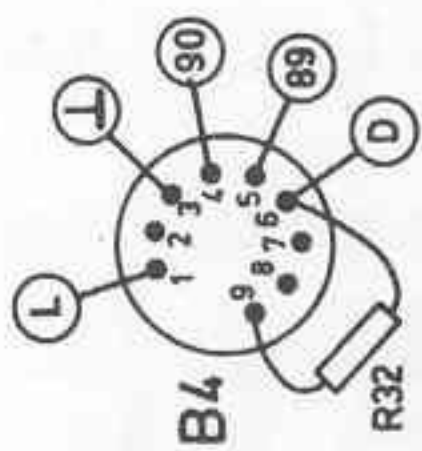
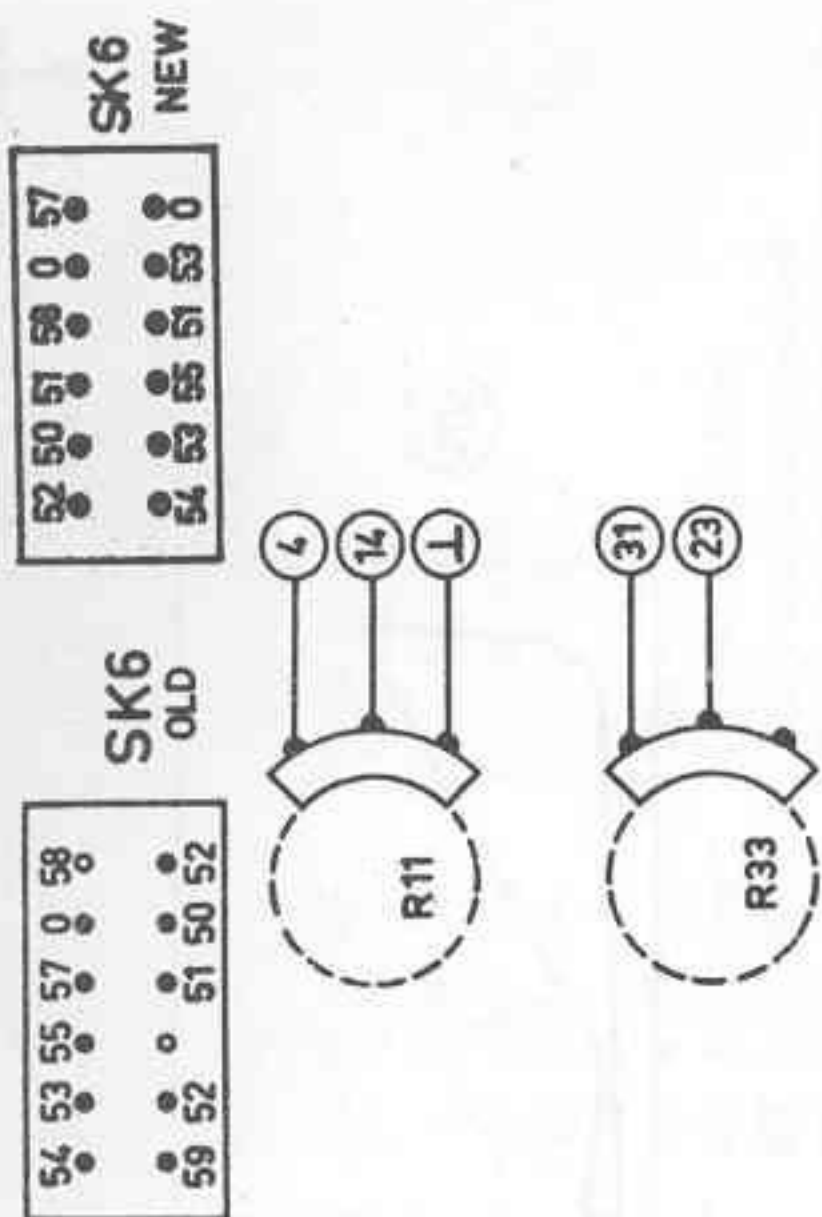
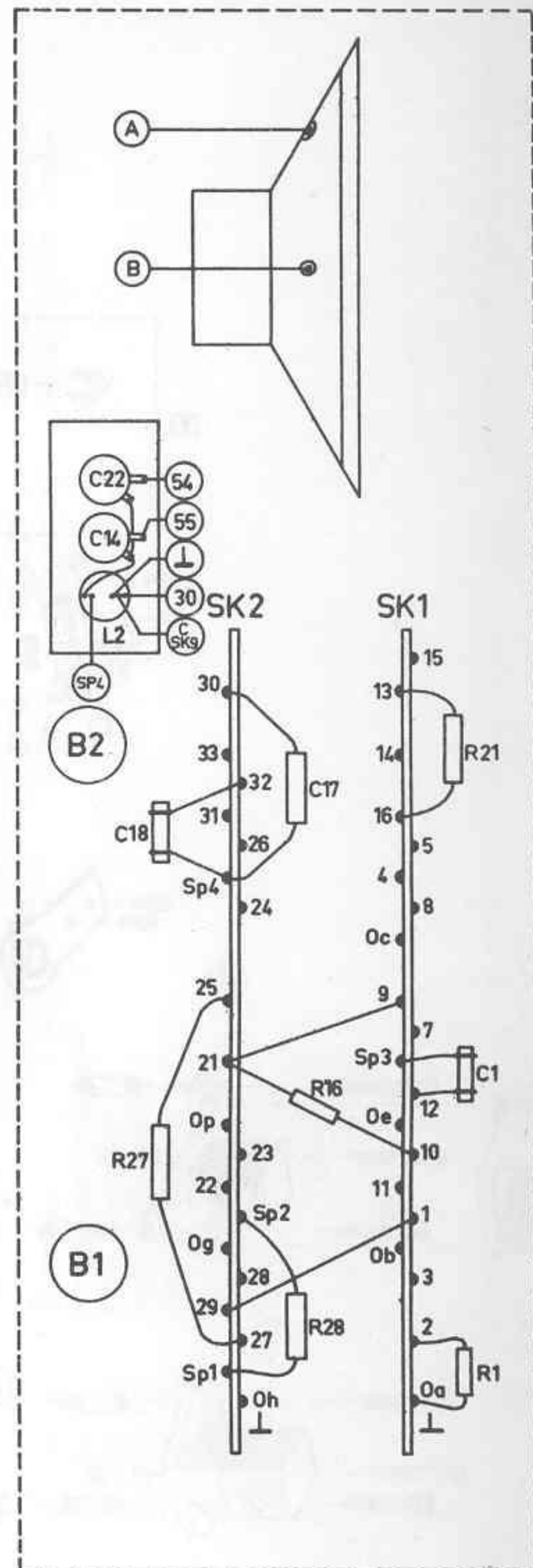
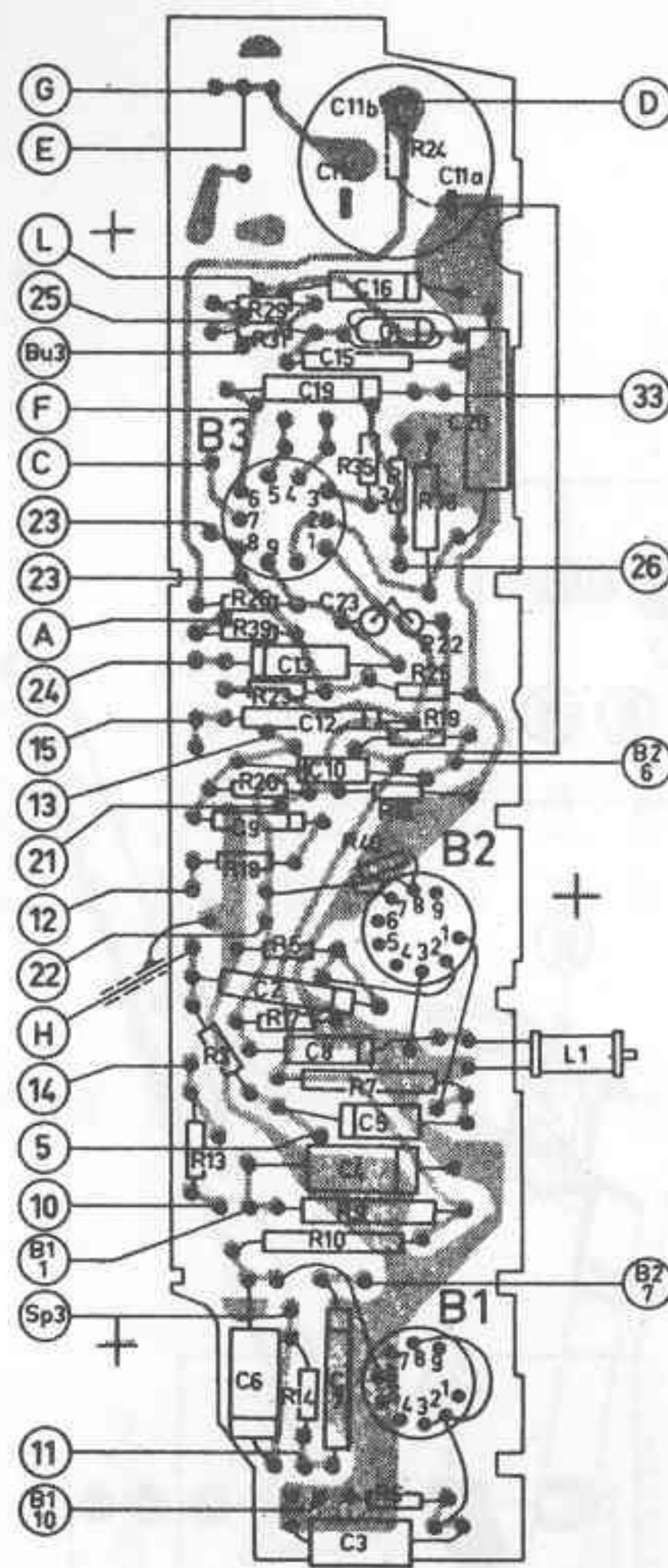
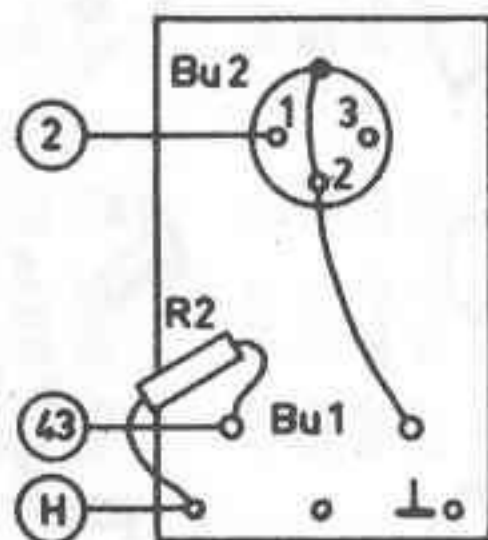
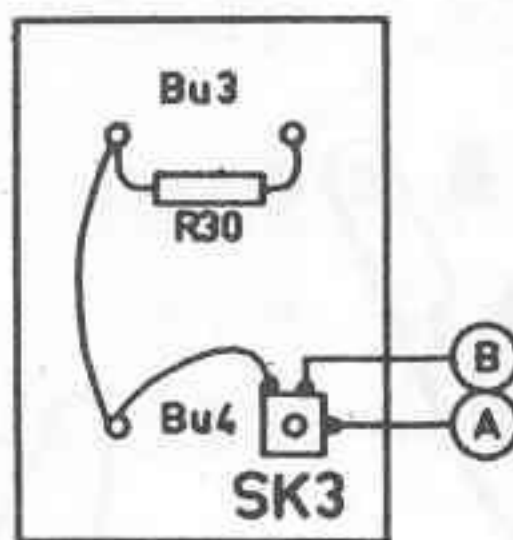
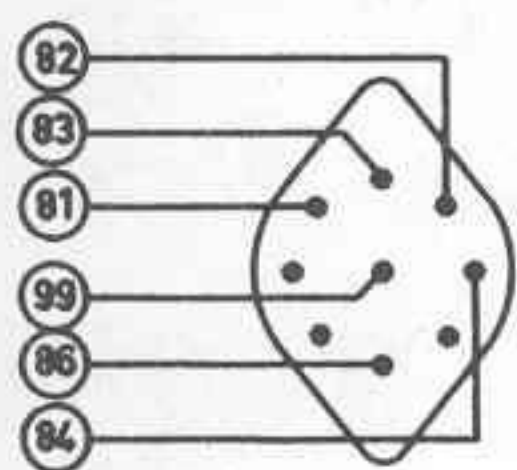
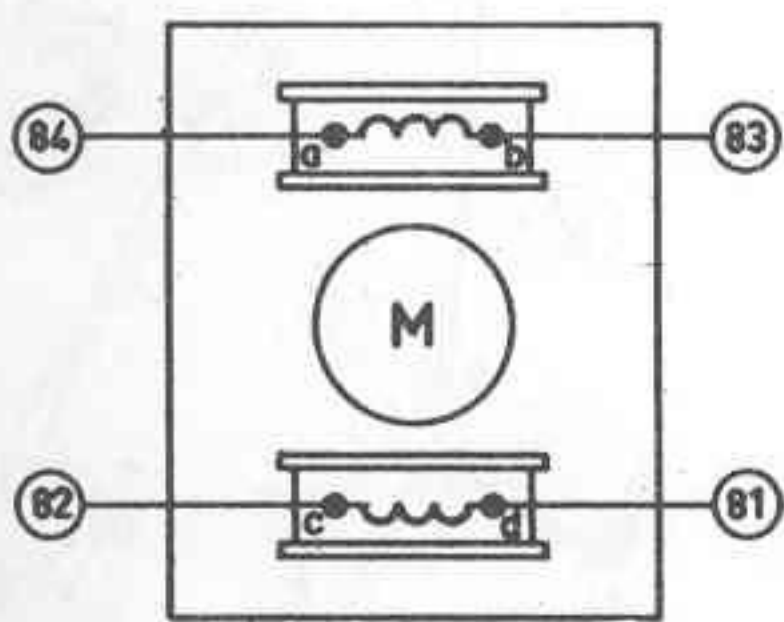
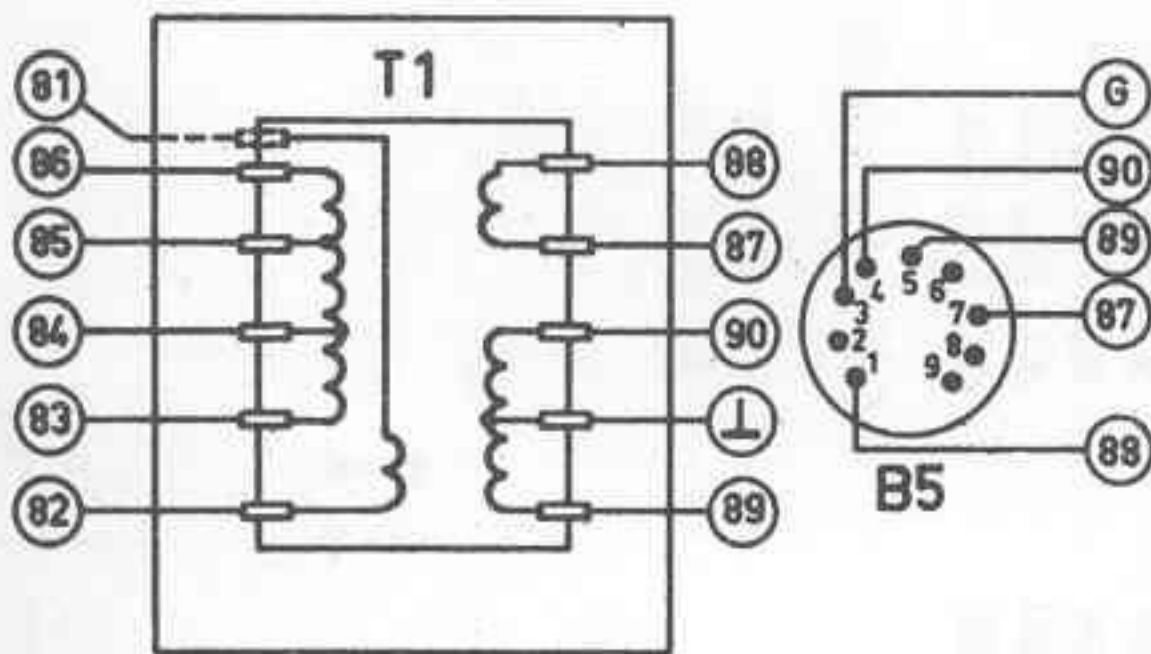
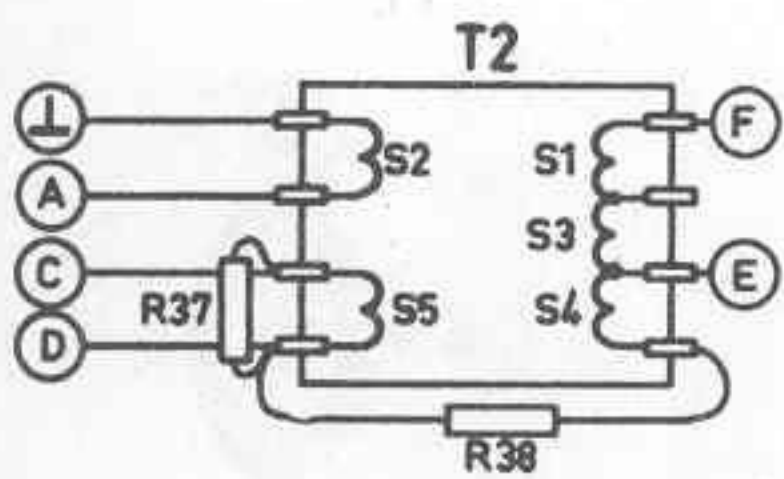
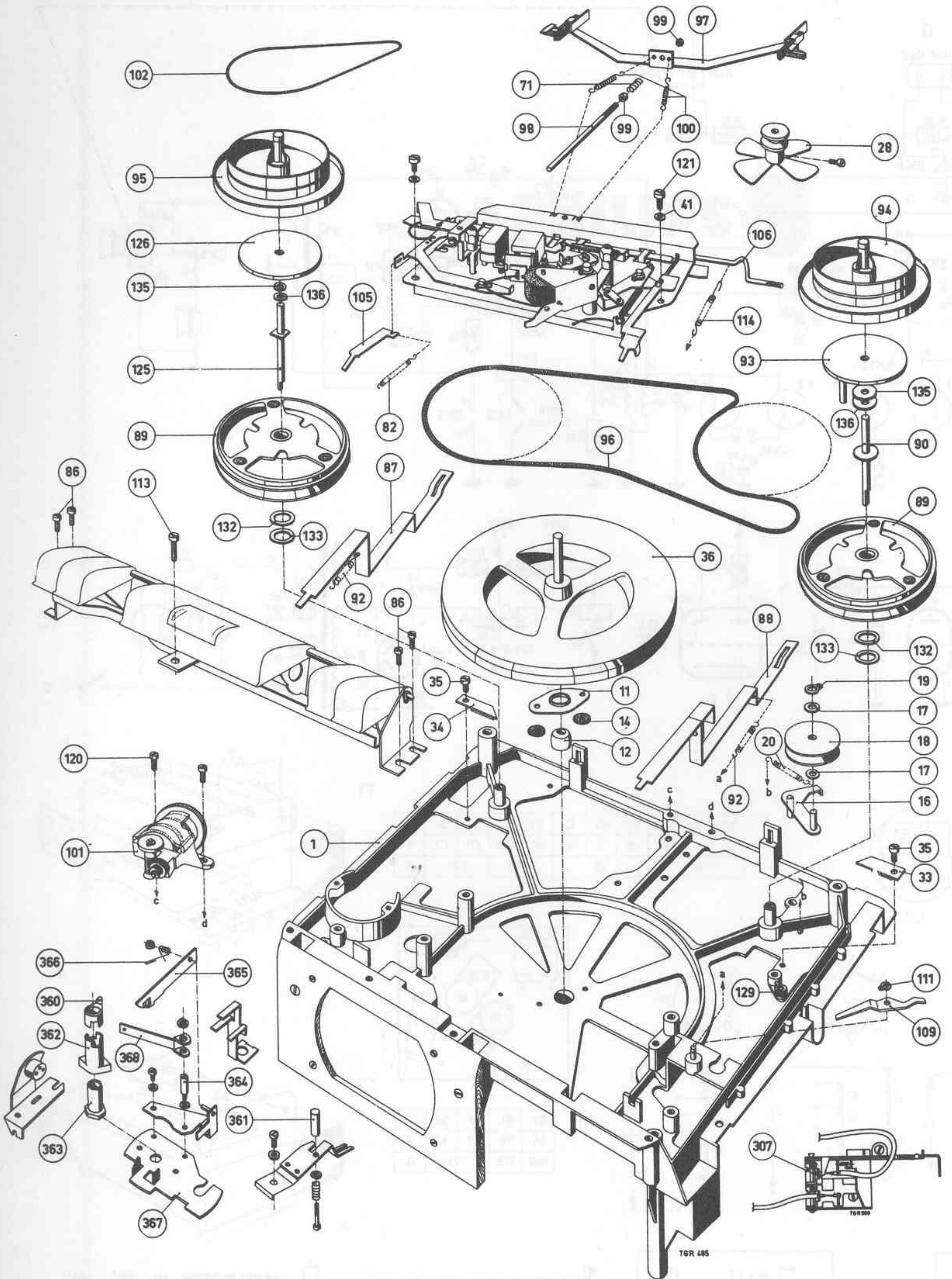


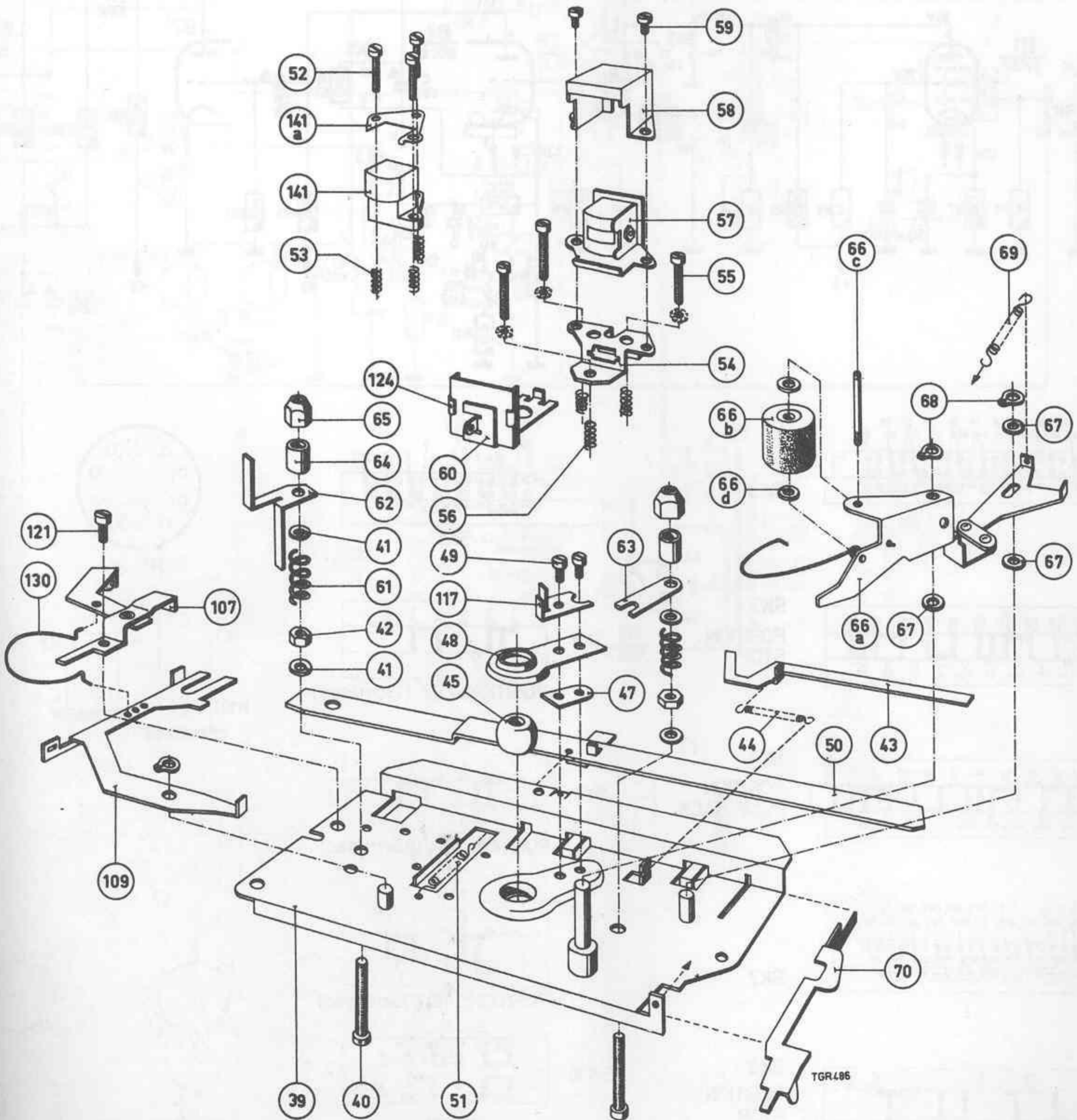
- ① = SK1
- ② = SK2
- ④ = SK4
- ⑤ = SK6
- I = ⤴
- II = PA
- III = ⤵
- IV = 1-4
- V = 2-3



EL 3541







List of mechanical parts II

Item	Code number	Description	Item	Code number	Description
3	A9 868 65	PVC ring	94	WY 820 01	Turntable (right)
6	WT 835 88	Adjusting screw	95	WY 820 01	Turntable (left)
7	WT 832 49	Recording push-button (red) fig. 33	96	WT 496 04	Drive belt
8	WT 730 63	Pressure spring	97	AE 606 47	Brake bracket
11	WT 277 17	Bearing plate	100	WT 740 89	Tension spring
12	WT 265 28	Bearing	101	PW 306 00	Counter
16	WT 882 26	Bearing plate for tensioning wheel	102	WT 496 08	Drive belt
17	A9 868 95	Ring	105	WT 678 96	Pressure piece
18	WT 881 87	Tensioning wheel	107	PW 306 73	Quick stop bracket
19	984/4	Clamping ring	109	WT 045 85	Switching lever
20	AE 603 83	Tension spring for tensioning wheel	114	WT 740 90	Tension spring
28	WT 882 25	Motor pulley 50 c/s	124	WT 887 66	Pressure strip
28	WT 882 38	Motor pulley 60 c/s	125	4822 175 01001	Reel spindle (left)
36	AE 507 66	Flywheel	126	WT 477 97	Carrier disc
43	WT 035 76	Locking bracket	130	WT 765 45	Profile spring
44	WT 740 86	Tension spring	132)	A9 868 65	Ring PVC
45	WT 265 28	Bearing	133)		
48	PW 307 21	Bearing plate	135)	4822 220 00332+	Ring PVC ; mm
50	AE 603 85	Spring	136)	4822 220 00331	
51	WT 740 87	Tension spring	135)	A9 888 50	Ring 10 mm
53	WT 730 47	Pressure spring	136)		
56	WT 730 47	Pressure spring	140	JW 304 90	Motor
57	A9 870 24	Recording/playback head K1-K101	140a	49 917 99	Upper bearing
58	PW 309 51	Screening	140b	JW 508 15	Lower bearing
60	4822 175 01077	Screening plate + felt pad	140c	971/67	Ball
61	PW 306 36	Pressure spring	141	WT 857 01	Erase head K2-K102
64	WT 458 58	Roller	141a	AE 602 67	Plate for erase head
65	WT 924 52	Nut	205a	WRB 976 YY/850	Rubber foot
66a	AE 572 46	Pressure roller lever	210a	WRB 903 UW/7/32"	Clamping ring for knob fig. 33
66b	WT 881 66	Pressure roller	211a	WRB 903 UW/7/32"	Clamping ring for knob fig. 33
66c	4822 213 00436	Spindle	212	WRB 801 UE/4x8	Ornamental screw fig. 33
69	WT 740 92	Tension spring	301c	WT 886 86	Voltage adapter
70	AE 602 61	Connecting bracket	305	WT 937 19	Locking hook
71	WT 730 70	Pressure spring for brake	306	WT 765 44	Profile spring
75	WT 261 63	Push-button fig. 33	308	WT 740 93	Tension spring
75a	WT 031 51	Bracket in push-button 75	355	AE 502 84	Switch-off pin for item 307
78	AE 603 70	Switch-off push-button fig. 33	361	PW 501 74	Trick key fig. 33
79	PW 307 36	Plate for stop key	362	PW 051 77/93	Switching cam
81	WT 760 14	Torsion spring	363	PW 051 75/93	Nylon nut
82	WT 740 77	Tension spring	364	PW 309 77	Screw
83	AE 572 48	Locking bracket	365	PW 309 41	Locking strip
89	AE 602 93	Coupling wheel	366	PW 309 30	Torsion spring
90	WT 821 84	Reel spindle (right) for 7 mm-ring	367	AE 603 69	Fixing plate for potentiometer
90	AE 603 71	Reel spindle for 10 mm-ring	368	AE 602 46	Bracket
92	WT 740 85	Tension spring			
93	AE 603 66	Carrier disc			